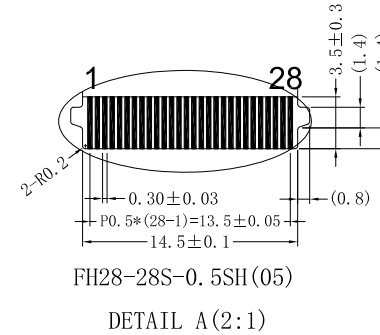
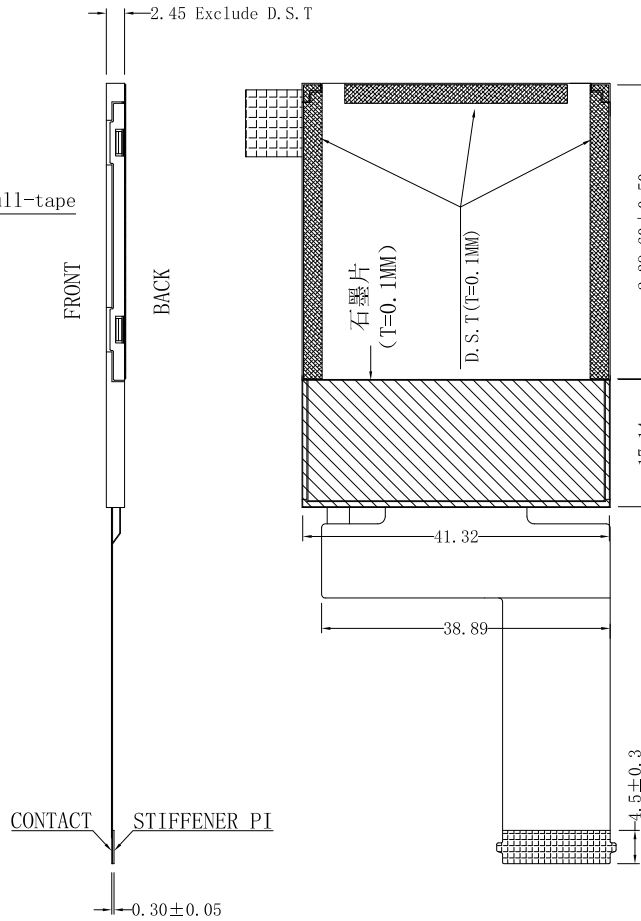
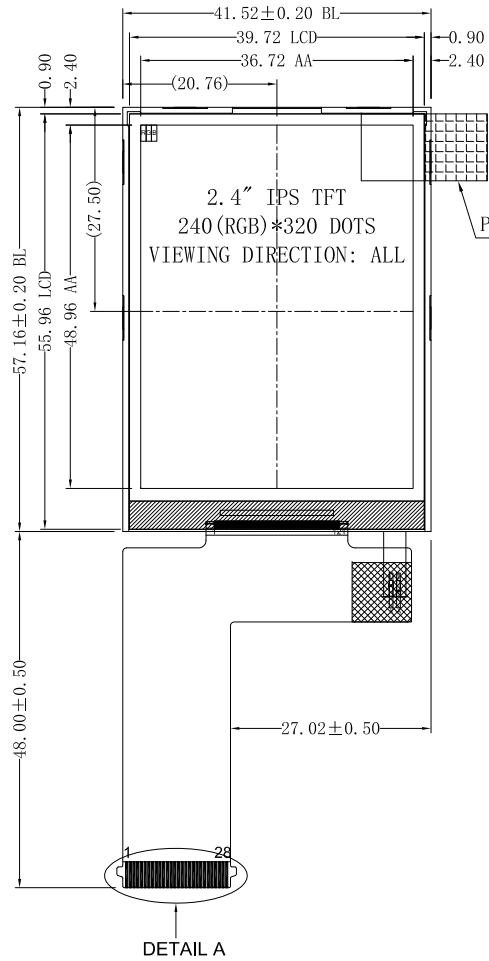
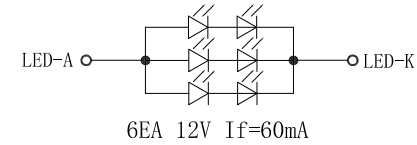


CUSTOMER P/N:

5		6	
Rev.	DATE	NOTES	
V1.0	2021.01.08	New issue	



LED CIRCUIT DIAGRAM:



PIN	SYMBOL
1	IM0
2	DB15
3	DB14
4	DB13
5	DB12
6	DB11
7	DB10
8	DB9
9	DB8
10	DB7
11	DB6
12	DB5
13	DB4
14	DB3
15	DB2
16	DB1
17	DB0
18	RD
19	WR
20	DC
21	CS
22	RESET
23	GND
24	VCC
25	LED-K
26	LED-A
27	TE
28	NC

IM0=1;16 Bit parallel
I/F:DB[15:0]

- NOTES:
- 1.DISPLAY TYPE: 2.4" TFT
 - 2.DISPLAY MODE: Transmissive
 - 3.VIEW DIRECTION: ALL
 - 4.OPERATION TEMPERATURE: -20°C~+70°C
STORAGE TEMPERATURE: -30°C~+80°C
 - 5.GENERAL TOLERANCE: ±0.2
 - 6.DRIVER IC: ST7789V
 - 7.LCM LUMINANCE: 1200cd/m² (Typical)
 - 8.REQUIREMENT ON ENVIRONMENT PROTECTION: ROHS

<i>Customer Approval</i>	Drawn:	DLC Display Co., Ltd			
	Checked:				
	Approved:	Title	TFT LCM OUTLINE	Unit	mm
	Critical Dim. <input type="checkbox"/>	Part No.	DLC0240ACP06CF-1	Scale	1:1
	Reference Dim. ()	Revison	V1.0	Page	1/1
	Date	2021-01-08	3 rd Angle		